

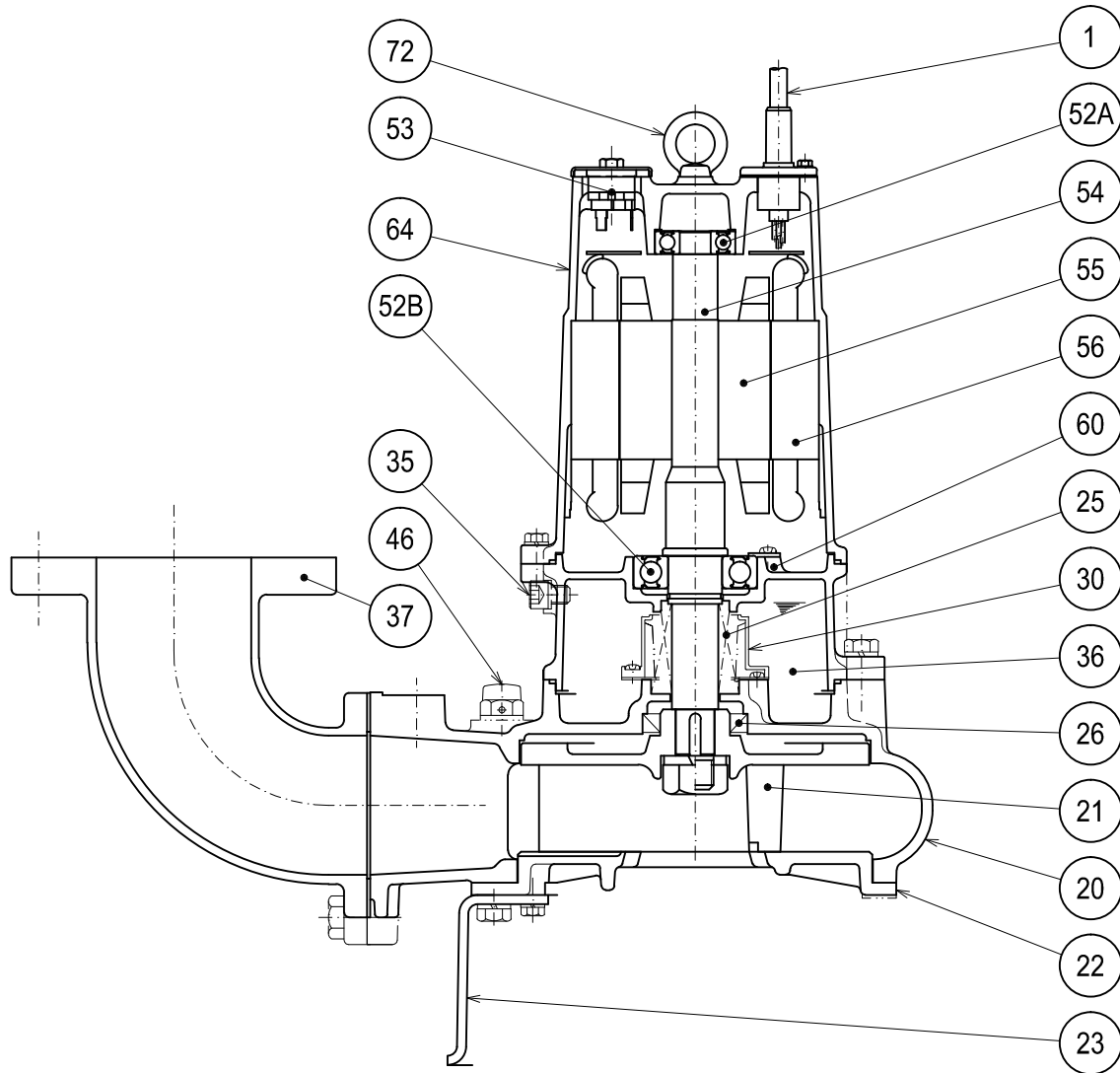


**TSURUMI PUMP**

**C-SERIES  
CUTTER - TYPE - SEWAGE & WASTEWATER PUMPS**

**SECTIONAL VIEW**

**100C42.2-CR -62**



| PART# | DESCRIPTION       | MAIN MATERIAL / NOTE               | RELATED ASTM,AISI CODE | RELATED EN CODE     | QTY |
|-------|-------------------|------------------------------------|------------------------|---------------------|-----|
| 1     | Power Cable       | PVC Sheath AWG 14/4-32ft           |                        |                     | 1   |
| 20    | Pump Casing       | Cast Iron                          | A48M Class30B          | EN 1561 GJL-200     | 1   |
| 21    | Impeller          | Cast Iron W/Tungsten Carbide       | A48M Class30B          | EN 1561 GJL-200     | 1   |
| 22    | Suction Cover     | High Chrome Cast Iron              | A532 Class III TypeA   | DIN 1695 G-X260Cr27 | 1   |
| 23    | Pump Stand        | Steel                              | A283 Grade D           | EN 10025 S275       | 3   |
| 25    | Mechanical Seal   | Silicon Carbide / H-30             |                        |                     | 1   |
| 26    | Oil Seal          | NBR / TC456812                     |                        |                     | 1   |
| 30    | Oil Lifter        | PBT Resin W/GF40                   |                        |                     | 1   |
| 35    | Oil Plug          | Stainless Steel                    | S 30400                | 1.4301              | 1   |
| 36    | Lubricant         | Turbine Oil ISO VG32 or SAE 10W-20 |                        |                     |     |
| 37    | Discharge Bend    | Cast Iron / 4"ANSI Flange(150PSI)  | A48M Class30B          | EN 1561 GJL-200     | 1   |
| 46    | Air Release Valve | Nylon                              |                        |                     | 1   |
| 52A   | Upper Bearing     | AC-#6304ZZC3                       |                        |                     | 1   |
| 52B   | Lower Bearing     | #6307ZZC3                          |                        |                     | 1   |
| 53    | Motor Protector   |                                    |                        |                     | 1   |
| 54    | Shaft             | Stainless Steel                    | S 42000                | 1.4028              | 1   |
| 55    | Rotor             |                                    |                        |                     | 1   |
| 56    | Stator            |                                    |                        |                     | 1   |
| 60    | Bearing Housing   | Cast Iron                          | A48M Class25B          | EN 1561 GJL-150     | 1   |
| 64    | Motor Housing     | Cast Iron                          | A48M Class25B          | EN 1561 GJL-150     | 1   |
| 72    | Lifting Lug Bolt  | Stainless Steel                    | S 30400                | 1.4301              | 2   |